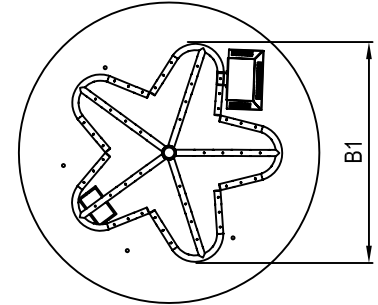
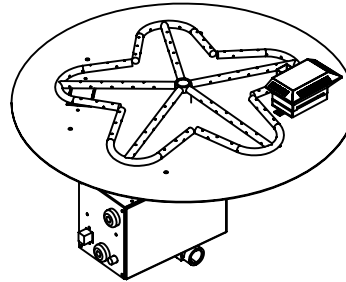
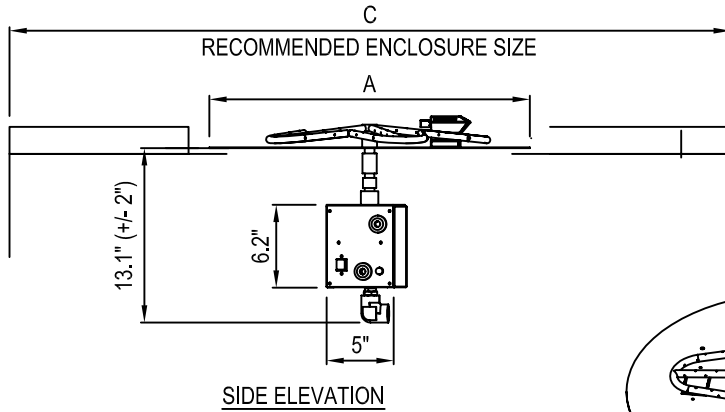


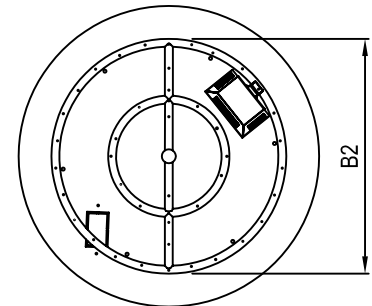
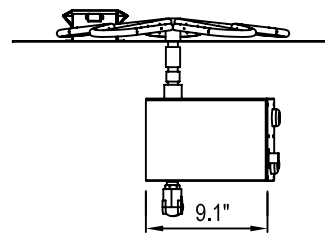
Hearth Products Controls Co

CSA CERTIFIED-OUTDOOR USE ONLY



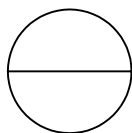
AVAILABLE IN 120VAC OR 24VAC

PART NUMBERS	STND BTU	PENTA BURNER		
		A"	B1"	C"
PENTA18 HWI	65K	18	12	54
PENTA24 HWI	125K	24	18	72
PENTA30 HWI	200K	30	24	72
PENTA36 HWI	250K	36	30	80
PENTA42 HWI	400K	42	36	90
ROUND BURNER		A"	B2"	C"
18FSS90HWI	90K	18	12	54
24FSS150HWI	150K	24	18	54
30FSS300HWI	250K	30	24	54
36FSS300HWI	250K	36	30	72
42FSS400HWI	400K	42	36	80



NOTES:

- FOR USE WITH FIXED PIPING SYSTEMS ONLY.
- NOT FOR USE WITH SMALL TANKS
- ALL ENCLOSURES REQUIRE 2 EACH 18 SQ/IN VENTS ON OPPOSING SIDES AND ADEQUATE DRAINAGE.
- RESIDENTIAL GAS PRESSURE ONLY
- MODIFICATION OF PRODUCT WILL VOID ANY CERTIFICATION AND WARRANTY.
- FOLLOW ALL MANUFACTURER INSTALLATION INSTRUCTIONS AND LOCAL CODES.
- ALL DIMENSIONS ARE CONSIDERED TRUE AND REFLECT MANUFACTURER'S SPECIFICATIONS AS OF THIS REVISION DATE.
- DO NOT SCALE DRAWING.
- THESE DRAWINGS ARE FOR SIZING AND PLANNING PURPOSES. ALL INFORMATION CONTAINED HEREIN WAS CURRENT AT THE TIME OF DEVELOPMENT. THE MANUFACTURER IS RESPONSIBLE FOR THE ACCURACY OF THE DRAWING
- CONTRACTOR'S NOTE: FOR PRODUCT AND COMPANY INFORMATION VISIT www.CADdetails.com/info REFERENCE NUMBER 771-013.



HWI FIRE PIT INSERT

HWI FLAT ROUND PAN - FLAME SENSING WITH ELECTRONIC HOT WIRE IGNITION